

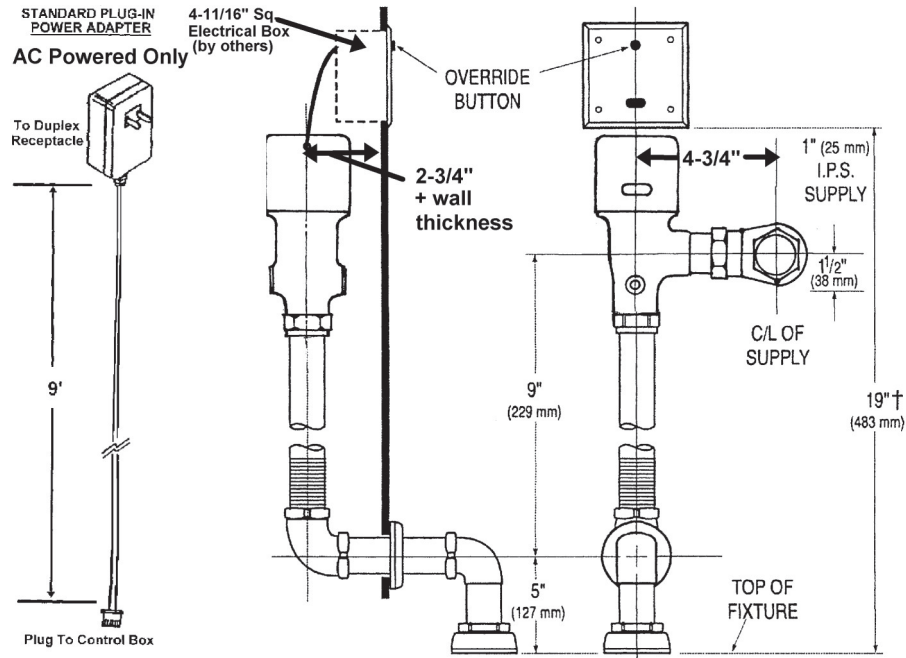


ISO 9001 Certified

H8CT-16DF/HB8CT-16DF

1.6 / 1.0 GPF Dual Flush

Concealed Water Closet / Top Spud



Description

Sensor operated, water conserving, concealed water closet flush valve for floor mounted or wall hung top spud bowls.

- H8CT-16DF (AC Powered)
- HB8CT-16DF (Battery Powered)

Flush Cycle

- Activate sensor for 60 seconds or less = 1.0 GPF
- Activate sensor for 61+ seconds = 1.6 GPF

General Specifications

Slow-closing, non-diaphragm, piston operated urinal flush valve in a rough brass finish with the following features:

- Self-cleaning filtering system
- Piston seals are unaffected by chlorine, chloramines, and ammonia
- Override push button
- 1" I.P.S. angle stop valve
- Stainless steel 7" X 7" wall plate with vandal resistant screws (for 4 11/16" sq. electrical box, provided by others)
- Self-diagnostic electronics system with manual reset
- Superior piston flushing mechanism
- Operating pressures: 10-125 PSI
- 36 hour sentinel flush
- 4 second arming delay
- Adjustable tailpiece
- Vacuum breaker / flush tube and spud coupling for 1/2" concealed back spud
- Sweat solder kit
- Standard with electronic and true mechanical override

Electrical Specifications

- Control Circuit:
 - Solid State
 - Input: 12 VDC (AC), 6 VDC (Battery)
 - Output: 6 VDC
 - 4 second arming delay
 - 36 hour sentinel flush
- Sensor Range: Up to 36"
- Solenoid:
 - 6V DC 50/60 Hz
 - Latching type
 - Slow closing
 - Piston operated
- Power Source (H8CT-16DF only):
 - Plug-In Adapter (standard)
 - Input: 120V AC, 60 Hz, 25 W
 - Output: 12V DC, 800 mA
 - Class II, UL Listed
 - HC-010 / HC-0104 Multi-Unit Adapter (optional)
 - Input: 120V AC, 60 Hz, 60 W
 - Output: 12V DC 3A
 - Class II, UL Listed
 - Powers up to (4) flush valves (HC-0104) or (8) flush valves (HC-010)
- Batteries (HB8CT-16DF only):
 - (4) AA Alkaline with Battery Holder

HYDROTEK INTERNATIONAL, INC.

5055 Forsyth Commerce Rd., Ste 124
 Orlando, FL 32807
 800.922.9883 (Phone)
 866.670.5580 (Fax)
 www.hydrotekintl.com

