

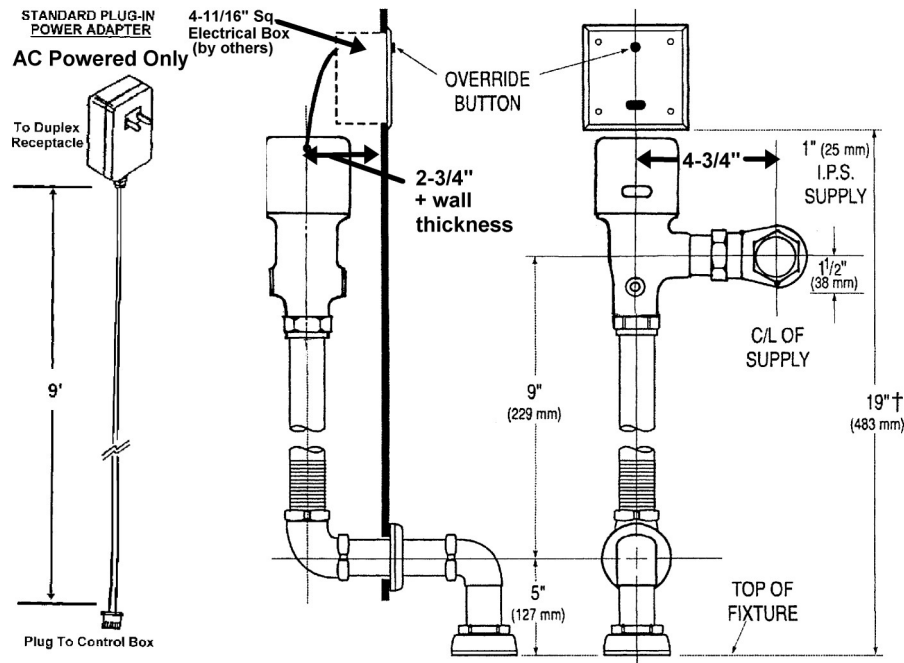


H8CT-128 / HB8CT-128

ISO 9001 Certified

1.28 GPF

Concealed Water Closet / Top Spud



Description

Sensor operated, water conserving, concealed water closet flush valve for floor mounted or wall hung top spud bowls.

- H8CT-128 (AC Powered)
- HB8CT-128 (Battery Powered)

Flush Cycle

- 1.28 GPF
- Field adjustable for water conservation

General Specifications

Slow-closing, non-diaphragm, piston operated closet flush valve in a rough brass finish with the following features:

- Self-cleaning filtering system
- Piston seals are unaffected by chlorine, chloramines and ammonia
- Override push button
- 1" I.P.S. angle stop valve
- Stainless steel 7" X 7" wall plate with vandal resistant screws (for 4-11/16" sq. electrical box, provided by others)
- Self-Diagnostic Electronics System with Manual Reset
- Superior piston flushing mechanism
- Operating pressures: 10—125 PSI
- 24 hour sentinel flush
- 4 second arming delay
- Adjustable tailpiece
- Vacuum breaker / flush tube and spud coupling for 1-1/2" concealed top spud
- Sweat solder kit
- Standard with electronic and true mechanical override

Electrical Specifications

- Control Circuit:
 - Solid State
 - Input: 12 VDC (AC), 6 VDC (Battery)
 - Output: 6 VDC
 - 4 second arming delay
 - 24 hour sentinel flush
- Sensor Range: Up to 36"
- Solenoid:
 - 6 VDC 50/60 Hz
 - Latching type
 - Slow closing
 - Piston operated
- Power Adapters (H8CT-128 only):
 - Plug-In Adapter (standard)
 - UL Listed, Class II
 - Input: 120 VAC, 60Hz, 25 W
 - Output: 12 VDC, 800 mA
 - HC-010 / HC-0104 Multi-Unit Adapter (optional)
 - UL Listed, Class II
 - Input: 120 VAC, 60 Hz, 60 W
 - Output: 12 VDC, 3 A
 - Powers up to (4) flush valves (HC-0104) or (8) flush valves (HC-010)
- Batteries (HB8CT-128 only):
 - (4) AA Alkaline with Battery Holder

HYDROTEK INTERNATIONAL, INC.

5055 Forsyth Commerce Rd., Ste. 124

Orlando, FL 32807

1.800.922.9883 (Phone)

1.866.670.5580 (Fax)

www.hydrotekintl.com

