

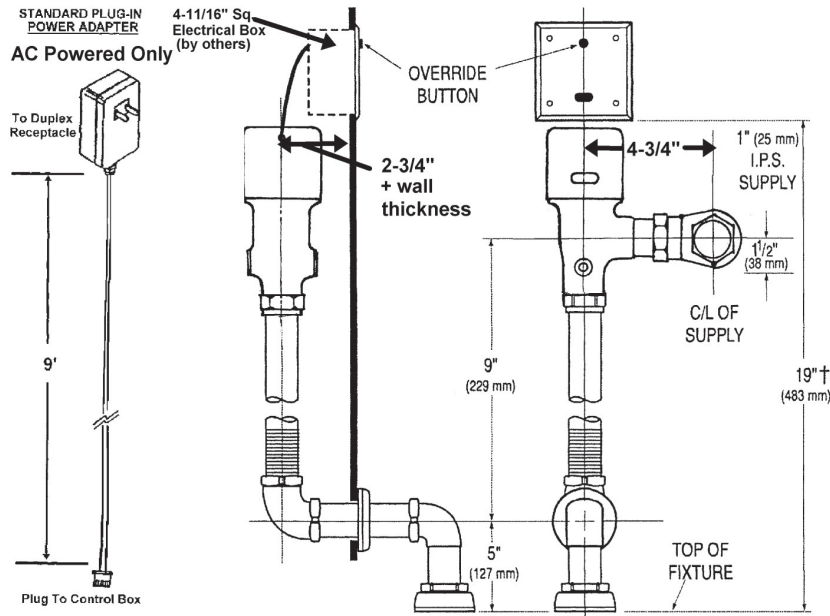


ISO 9001 Certified

# H-8000C-CT/HB-8000C-CT

1.6 GPF

Concealed Water Closet / Top Spud



## Description

Sensor operated, water conserving, concealed water closet flush valve for floor mounted or wall hung top spud bowls.

- H-8000C-CT (AC Powered)
- HB-8000-CT (Battery Powered)

## Flush Cycle

- 1.6GPF
- Field adjustable for water conservation

## General Specifications

Slow-closing, non-diaphragm, piston operated closet flush valve in a rough brass finish with the following features:

- Self-cleaning filtering system
- Piston seals are unaffected by chlorine, chloramines and ammonia
- Override push button
- 1" I.P.S. angle stop valve
- Stainless steel 7" X 7" or 5" X 5" wall plate with vandal resistant screws (for 4-11/16" sq. electrical box, provided by others)
- Diagnostic electronics
- Superior piston flushing mechanism
- Operating pressures: 10—125 PSI
- 36 hour sentinel flush
- 4 second arming delay
- Adjustable tailpiece
- Vacuum breaker / flush tube and spud coupling for 1-1/2" concealed top spud
- Sweat solder kit

## Electrical Specifications

- Control Circuit:
  - Solid State
  - Input: 12 VDC (AC), 6 VDC (Battery)
  - Output: 6 VDC
  - 4 second arming delay
  - 36 hour sentinel flush
- Sensor Range: Up to 36"
- Solenoid:
  - 6 VDC 50/60 Hz
  - Latching type
  - Slow closing
  - Piston operated
- Power Adapters (H8CT-128 only):
  - Plug-In Adapter (standard)
    - UL Listed, Class II
    - Input: 120 VAC, 60Hz, 25 W
    - Output: 12 VDC, 800 mA
  - HC-010 Multi-Unit Adapter (optional)
    - UL Listed, Class II
    - Input: 120 VAC, 60 Hz, 60 W
    - Output: 12 VDC, 3 A
    - Powers up to (8) flush valves
- Batteries (HB-8000-CT only):
  - (4) AA Alkaline with Battery Holder

**HYDROTEK INTERNATIONAL, INC.**  
5055 Forsyth Commerce Rd., Ste 124  
Orlando, FL 32807  
800.922.9883 (Phone)  
866.670.5580 (Fax)  
www.hydrotekintl.com

