

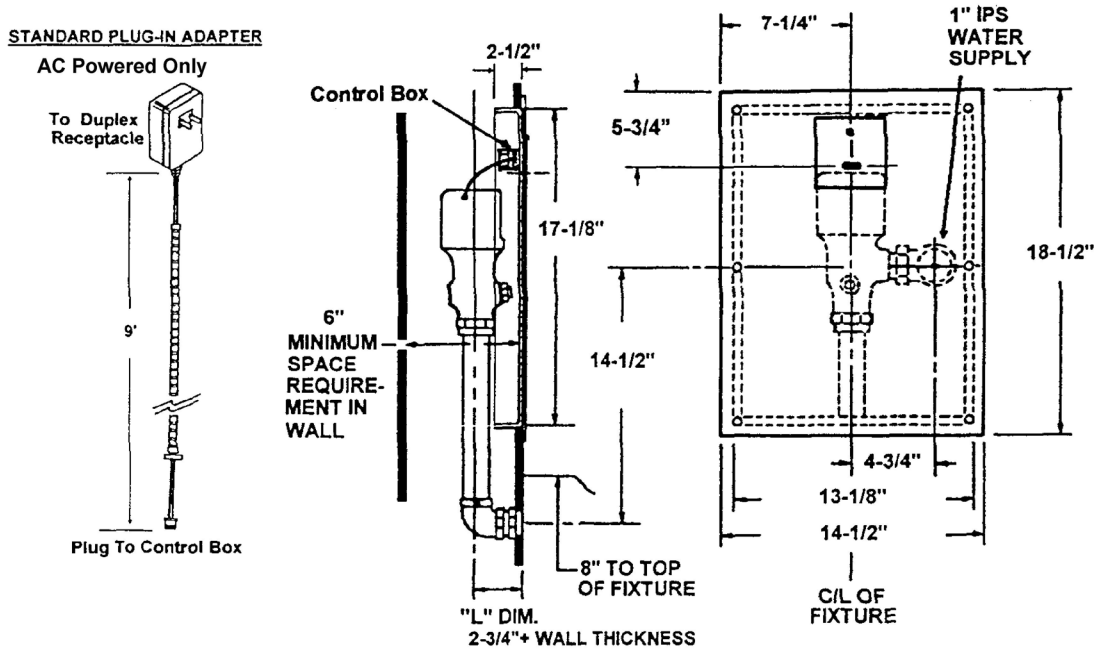


ISO 9001 Certified

H-8000C-CB-WB/HB-8000C-CB-WB

1.6 GPF

Concealed Water Closet / Back Spud with Wall Box



Description

This smooth and quiet concealed flush valve for closet is equipped with adjustable sensor with electronic override button, rough brass finish, solenoid operator, adjustable tailpiece, vacuum breaker, 1" IPS Angle Stop, elbow flush connections, spud connection for 1½" Back Spud. Exposed flush valve parts are chrome plated. Includes Stainless Steel Wall Box and Cover Plate with manual over-ride button.

Standard Package Includes

- (1) Flush Valve (Rough Brass Finish)
- (1) 1" Angle Stop Valve (Rough Brass Finish)
- (1) Sweat Solder Kit
- (1) Vacuum Breaker / Flush Tube
- (1) 1-1/2" Back Spud ELL Connection
- (1) Back Spud Coupling
- (1) Electronic Control Box with Sensor
- (1) Plug-in Power Adapter (AC Powered)
- (4) AA Alkaline Batteries with Battery Holder (Battery Powered)
- (1) 13" X 17" Stainless Steel Wall Box with Cover Plate and Vandal Resistant Screws.

Optional Accessories (AC Powered)

- HC-010 Multi-unit power adapter. Powers up to 8 flush valve units up to 100 feet.

Plumbing Specifications

Model	Fixture	Supply	Spud	Flow Rate
H-8000C-CB	Closet	1"	1½" Back	1.6 GPF
HB-8000C-CB	Closet	1"	1½" Back	1.6 GPF

Electrical Specifications

- Control Circuit:
 - Solid State
 - Input: 12 VDC (AC), 6 VDC (Battery)
 - Output: 6 VDC
 - 4 second arming delay
 - 1 second flush delay
 - 36 hour sentinel flush
- Power Source (AC Powered):
 - Standard plug-in adapter with 9' output cord
 - Input: 120V AC, Output: 12V DC 800 mA
 - Class II, UL Listed
 - Optional multi-unit adapter
 - Input: 120V AC, Output: 12V DC 3A
 - Class II, UL Listed
- Power Source (Battery Powered):
 - (4) AA Alkaline Batteries

Wall Box Specifications

- Frame: 13" X 17" X 2" #15 Gauge 304 SS
- Cover Plate: 14½" X 18½" #14 Gauge 304 SS with #4 finish

HYDROTEK INTERNATIONAL, INC.
 5055 Forsyth Commerce Rd., Ste 124
 Orlando, FL 32807
 800.922.9883 (Phone)
 866.670.5580 (Fax)
 www.hydrotekintl.com

