



WATER CONSERVATION

Water Conserving 0.5 GPF AC Powered Flush Valve (Urinal)

Model
H8-B1-05 (AC)

➤ **Description**

AC Powered, Sensor Operated, **Water Conserving**, Exposed Urinal Flush Valve.

➤ **Flush Cycle**

• **Model H8-B1-05 (AC)**

AC Powered Urinal Flush Valve with 0.5 GPF

Note: Flush Valves may not function with all urinal fixtures. Be sure to verify flow requirements with manufacturer.

➤ **Specifications**

Exposed, Piston Operated, Chrome Plated, Urinal Flush Valve with the following features:

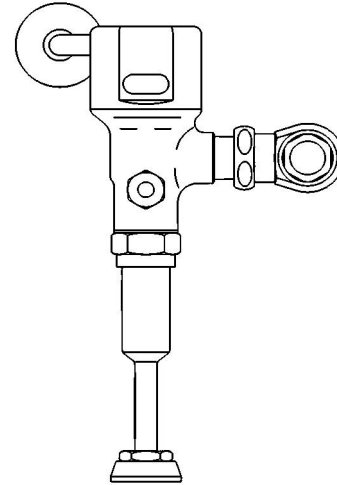
- Standard Brass/Chrome Plated All Metal Construction
- Superior, Slow Closing, Piston Flushing Mechanism
- Standard Manual - Mechanical Override Button
- Field adjustable to Left or Right Rough-In
- Operating Pressures: 10 – 125 PSI
- Standard Self-Cleaning Filtering System
- Superior VSI Silicone Elastomer Piston Seals are Unaffected by Chlorine, Chloramines and Ammonia.
- ADA Compliant - Infrared Sensor operated for "Hands Free" operation
- Reliable, Energy-Conserving, Latching Solenoid Valve
- Preset / adjustable Sensor Distance
- Adjustable Tailpiece
- 3/4" I.P.S. Angle Stop Valve with vandal resistant cap
- High Back Pressure Vacuum Breaker / Flush Tube Connection
- Spud Coupling and Flange for 3/4" Top Spud
- Sweat Solder Adapter with Cover Tube and Wall Flange
- High Copper, Low Zinc Brass Casting for Dezincification Resistance
- 24 hour Sentinel Flush
- Plug-In Power Adapter Furnished as Standard

➤ **Electrical Specifications:**

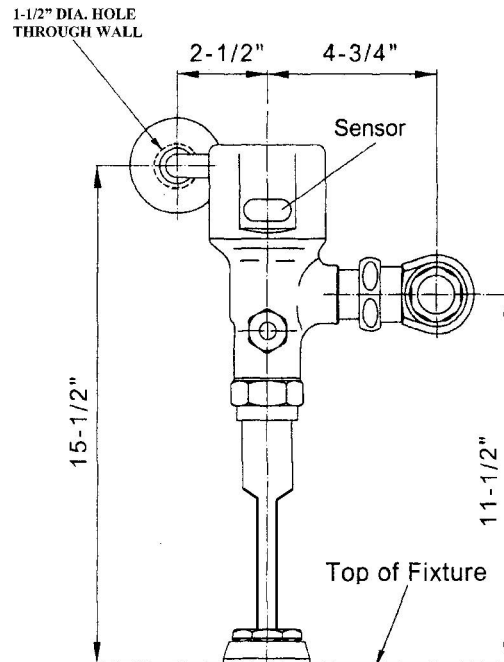
- Plug-in Power Adapter
Input: 120V AC (60 Hz), Output: 12V DC
- Solenoid Valve and Sensor, 6V DC

➤ **Optional Accessory:**

- HC-010 Multi-Unit Transformer (Powers up to 8 Flush Valves up to 100 Feet).



Model H8-B1-05 (AC)



HYDROTEK INTERNATIONAL, INC.

Phone: 800-922-9883

Fax: 407-647-0471

www.hydrotekintl.com

