



WATER CONSERVATION

Water Conserving

1.28 / 0.8 GPF Dual Flush AC Powered Flush Valve (Closet)

Model
H8-128DF (AC)

➤ **Description**

AC Powered, Sensor Operated, Exposed, **Water Conserving**, Closet Flush Valve for floor mounted or wall hung top spud bowls.

➤ **Flush Cycle**

• **Model H8-128DF (AC)**

- AC Powered (1.28-0.8 GPF – Dual Flush)
- Activate Sensor for 60 Seconds or less = 0.8 GPF
- Activate Sensor for 61+ Seconds = 1.28 GPF.
Note: Flush Valves may not function with all bowls. Be sure to verify flow requirements with bowl manufacturer.

➤ **Specifications**

Exposed, Piston Operated, Chrome Plated, Closet Flush Valve with the following features:

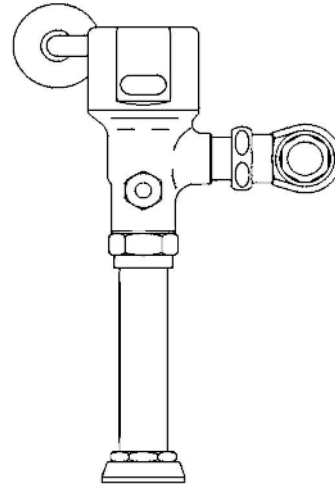
- Standard Brass/Chrome Plated All Metal Construction
- Superior, Slow-Closing, Piston Flushing Mechanism
- Standard Manual - Mechanical Override Button
- Field adjustable to Left or Right Rough-In
- Operating Pressures: 10 – 125 PSI
- Standard Self-Cleaning Filtering System
- Superior VSI Silicone Elastomer Piston Seals are Unaffected by Chlorine, Chloramines and Ammonia.
- ADA Compliant - Infrared Sensor operated for "No Hands" operation
- Reliable, Latching Solenoid Valve
- Preset / adjustable Sensor Distance
- Adjustable Tailpiece
- 1" I.P.S. Angle Stop Valve with vandal resistant cap
- High Back Pressure Vacuum Breaker / Flush Tube Connection
- Spud Coupling and Flange for 1-1/2" Top Spud
- Sweat Solder Adapter with Cover Tube and Wall Flange
- High Copper, Low Zinc Brass Casting for Dezincification Resistance
- 24 hour Sentinel Flush
- Plug-In Power Adapter Furnished as Standard

➤ **Electrical Specifications:**

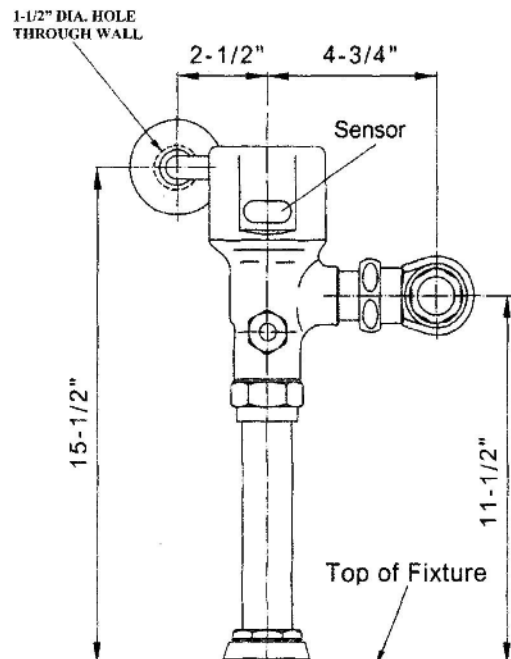
- Plug-in Power Adapter
Input: 120V AC (60 Hz), Output: 12V DC
- Solenoid Valve and Sensor, 6V DC

➤ **Optional Accessory:**

- HC-010 Multi-Unit Transformer (Powers up to 8 Flush Valves up to 100 Feet).



Model H8-128DF (AC)



HYDROTEK INTERNATIONAL, INC.

Phone: 800-922-9883

Fax: 407-647-0471

www.hydrotekintl.com

