



WATER CONSERVATION

Water Conserving 0.5 GPF Battery Powered Flush Valve (Urinal)

Model
HB8-B2-05 (BAT)

➤ **Description**

Battery Powered, Sensor Operated, **Water Conserving**, Exposed Urinal Flush Valve.

➤ **Flush Cycle**

• **Model HB8-B2-05 (Bat)**

Battery Powered Urinal Flush Valve with 0.5 GPF

Note: Flush Valves may not function with all urinal fixtures. Be sure to verify flow requirements with manufacturer.

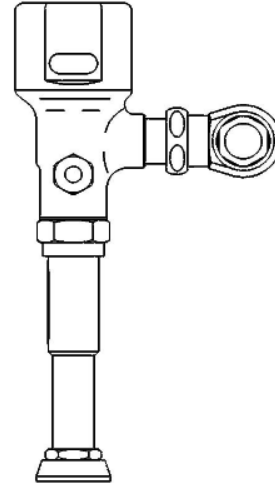
➤ **Specifications**

Exposed, Piston Operated, Chrome Plated, Urinal Flush Valve with the following features:

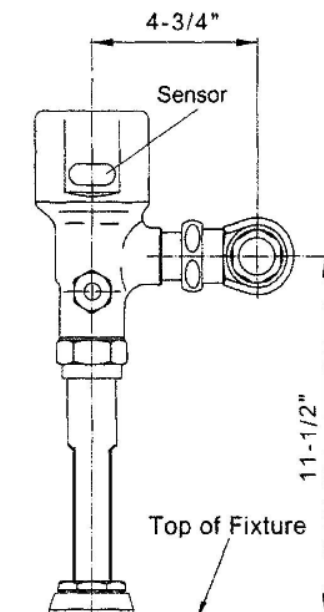
- Standard Brass/Chrome Plated All Metal Construction
- Superior, Slow Closing, Piston Flushing Mechanism
- Standard Manual - Mechanical Override Button
- Field adjustable to Left or Right Rough-In
- Operating Pressures: 10 – 125 PSI
- Standard Self-Cleaning Filtering System
- Superior VSI Silicone Elastomer Piston Seals are Unaffected by Chlorine, Chloramines and Ammonia.
- ADA Compliant - Infrared Sensor operated for "Hands Free" operation
- Reliable, Energy-Conserving, Latching Solenoid Valve
- Preset / adjustable Sensor Distance
- Adjustable Tailpiece
- 1" I.P.S. Angle Stop Valve with vandal resistant cap
- High Back Pressure Vacuum Breaker / Flush Tube Connection
- Spud Coupling and Flange for 1 1/4" Top Spud
- Sweat Solder Adapter with Cover Tube and Wall Flange
- High Copper, Low Zinc Brass Casting for Dezincification Resistance
- 24 hour Sentinel Flush
- (4) AA Alkaline Batteries furnished

➤ **Electrical Specifications:**

- (4) 1.5V DC AA Alkaline Batteries
- Solenoid Valve and Sensor 6V DC.
- Battery Service Life: 400,000 Flushes



Model HB8-B2-05 (Bat)



HYDROTEK INTERNATIONAL, INC.

Phone: 800-922-9883

Fax: 866-670-5580

www.hydrotekintl.com

