

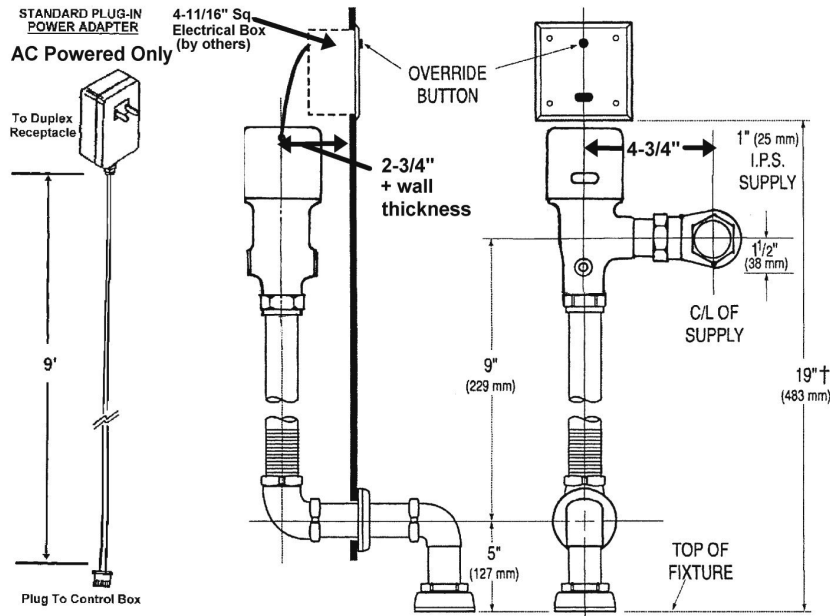


ISO 9001 Certified

H-8000C-D1T/HB-8000C-D1T

1.0 GPF

Concealed Urinal / 3/4" Top Spud



Description

Sensor operated, water conserving, concealed urinal flush valve for floor mounted or wall hung top spud bowls.

- H-8000C-D1T (AC Powered)
- HB-8000-D1T (Battery Powered)

Flush Cycle

- 1.0 GPF
- Field adjustable for water conservation

General Specifications

Slow-closing, non-diaphragm, piston operated closet flush valve in a rough brass finish with the following features:

- Self-cleaning filtering system
- Piston seals are unaffected by chlorine, chloramines and ammonia
- Override push button
- 3/4" I.P.S. angle stop valve
- Stainless steel 7" X 7" or 5" X 5" wall plate with vandal resistant screws (for 4 1/16" sq. electrical box, provided by others)
- Diagnostic electronics
- Superior piston flushing mechanism
- Operating pressures: 10—125 PSI
- 24 hour sentinel flush
- 4 second arming delay
- Adjustable tailpiece
- Vacuum breaker / flush tube and spud coupling for 1 1/2" concealed top spud
- Sweat solder kit

Electrical Specifications

- Control Circuit:
 - Solid State
 - Input: 12 VDC (AC), 6 VDC (Battery)
 - Output: 6 VDC
 - 4 second arming delay
 - 24 hour sentinel flush
- Sensor Range: Up to 36"
- Solenoid:
 - 6 VDC 50/60 Hz
 - Latching type
 - Slow closing
 - Piston operated
- Power Adapters (H8CT-128 only):
 - Plug-In Adapter (standard)
 - UL Listed, Class II
 - Input: 120 VAC, 60Hz, 25 W
 - Output: 12 VDC, 800 mA
 - HC-010 Multi-Unit Adapter (optional)
 - UL Listed, Class II
 - Input: 120 VAC, 60 Hz, 60 W
 - Output: 12 VDC, 3 A
 - Powers up to (8) flush valves
- Batteries (HB8CT-128 only):
 - (4) AA Alkaline with Battery Holder

HYDROTEK INTERNATIONAL, INC.
5055 Forsyth Commerce Rd., Ste 124
Orlando, FL 32807
800.922.9883 (Phone)
866.670.5580 (Fax)
www.hydrotekintl.com

