

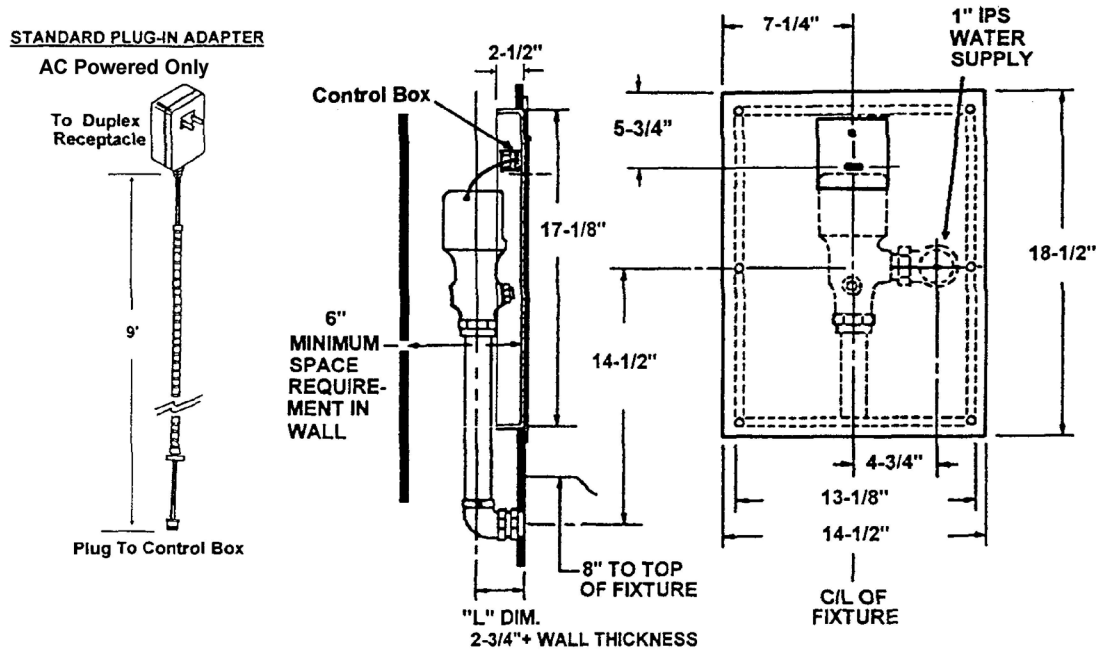


H-8000C-D1B-WB/HB-8000C-D1B-WB

1.0 GPF

ISO 9001 Certified

Concealed Urinal/ Back Spud with Wall Box



Description

This smooth and quiet concealed flush valve for urinal is equipped with adjustable sensor, rough brass finish, solenoid operator, adjustable tailpiece, vacuum breaker, 3/4" IPS Angle Stop, elbow flush connection, spud connection for 3/4" Back Spud. Exposed flush valve parts are chrome plated. Includes Stainless Steel Wall Box and Cover Plate.

Standard Package Includes

- (1) Flush Valve (Rough Brass Finish)
- (1) 3/4" Angle Stop Valve (Rough Brass Finish)
- (1) Sweat Solder Kit
- (1) Vacuum Breaker / Flush Tube
- (1) 3/4" Back Spud ELL Connection
- (1) Back Spud Coupling
- (1) Electronic Control Box with Sensor
- (1) Plug-in Power Adapter (AC Powered)
- (4) AA Alkaline Batteries with Battery Holder (Battery Powered)
- (1) 13" X 17" Stainless Steel Wall Box with Cover Plate and Vandal Resistant Screws.

Optional Accessories (AC Powered)

- HC-010 Multi-unit power adapter. Powers up to 8 flush valve units up to 100 feet.
- Manual over-ride button

Plumbing Specifications

Model	Fixture	Supply	Spud	Flow Rate
H-8000C-D1B	Urinal	3/4"	3/4" Back	1.0 GPF
HB-8000C-D1B	Urinal	3/4"	3/4" Back	1.0 GPF

Electrical Specifications

- Control Circuit:
 - Solid State
 - Input: 12 VDC (AC) , 6 VDC (Battery)
 - Output: 6 VDC
 - 3 second arming delay
 - 1 second flush delay
 - 24 hour sentinel flush
- Power Source (AC Powered):
 - Standard plug-in adapter with 9' output cord
 - o Input: 120V AC, Output: 12V DC 800 mA
 - o Class II, UL Listed
 - Optional multi-unit adapter
 - o Input: 120V AC, Output: 12V DC 3A
 - o Class II, UL Listed
- Power Source (Battery Powered):
 - (4) AA Alkaline Batteries

Wall Box Specifications

- Frame: 13" X 17" X 2" #15 Gauge 304 SS
- Cover Plate: 14 1/2" X 18 1/2" #14 Gauge 304 SS with #4 finish

HYDROTEK INTERNATIONAL, INC.

5055 Forsyth Commerce Rd., Ste 124
 Orlando, FL 32807
 800.922.9883 (Phone)
 866.670.5580 (Fax)
 www.hydrotekintl.com

