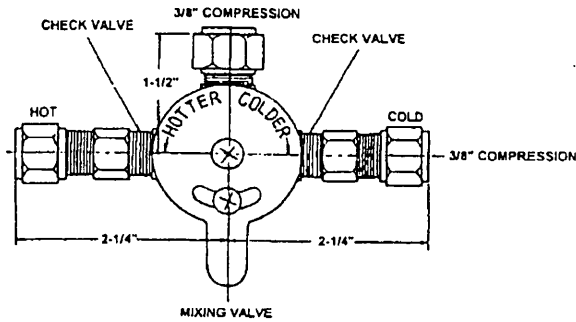
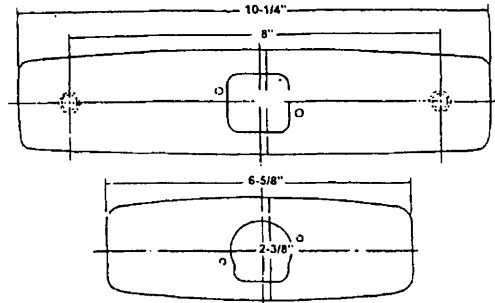


HYDROTEK ACCESSORIES (Page 1)

HC-001 MIXING/CHECK VALVE

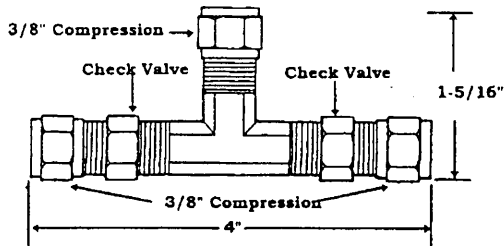


HYDROTEK COVER PLATES

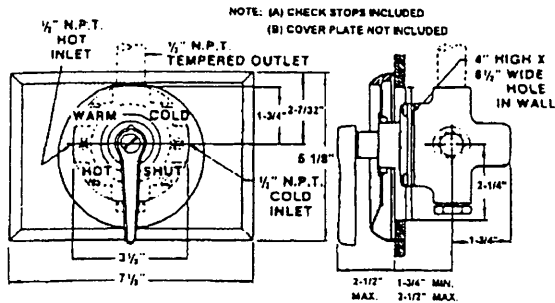


See price sheets for corresponding Faucet Model / Cover Plate part #'s

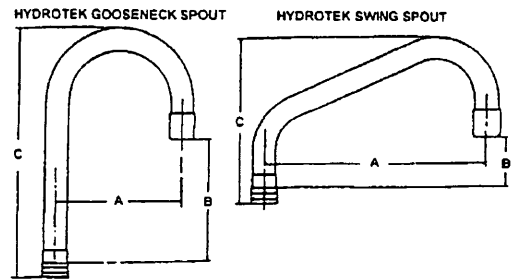
HC-003 MIXING "T" WITH CHECKS



HBL-01 ANTI-SCALD MIXING VALVE



HYDROTEK GOOSENECK/SWING SPOUTS



GOOSENECK SPOUT

MODEL NO.	A	B	C
HC-007A	5 3/4"	6"	10 1/4"
HC-007B	5 3/8"	9"	13 1/4"
HC-007G	8 3/8"	6"	11"

"B" dimension is without flow control device

SWING SPOUT

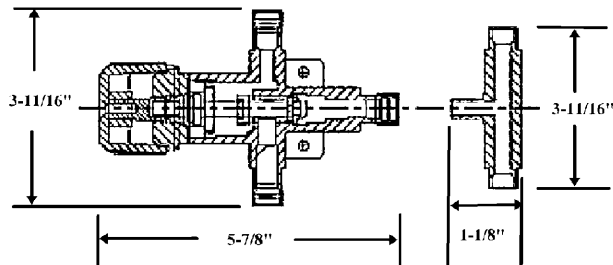
MODEL NO.	A	B	C
HC-007F	6"	1-1/2"	4 3/4"
HC-007E	8"	2-3/4"	5 3/4"

"B" dimension is without flow control device

HYDROTEK FLOW CONTROL DEVICES



HBL-04 4-PORT THERMOSTATIC MIXING VALVE

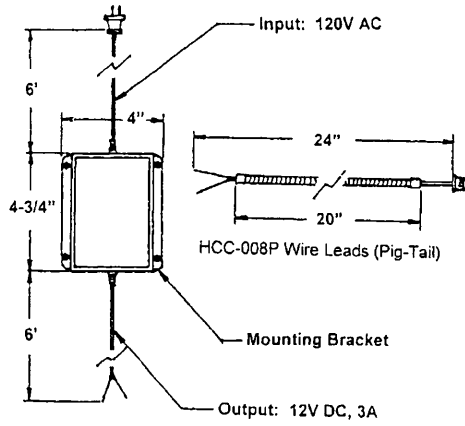


Part No.	Flow	GPM	Thread	Vandal Resist.
HB-003M	Soft Flow	1.6	Male	No
HB-003MVR	Soft Flow	1.6	Male	Yes
HB-003F	Soft Flow	1.6	Female	No
HB-003AMVR	Rosette Spray	0.5	Male	Yes
HB-003AFVR	Rosette Spray	0.5	Female	Yes
HB-003BMVR	Laminar Flow	1.6	Male	Yes
HB-003CMVR	Laminar Flow	2.0	Male	Yes
HB-003CF	Laminar Flow	2.0	Female	No
HB-003DF	Laminar Flow	2.5	Female	No
HB-004F	Rose Spray	2.5	Female	No

HYDROTEK ACCESSORIES (Page 2)

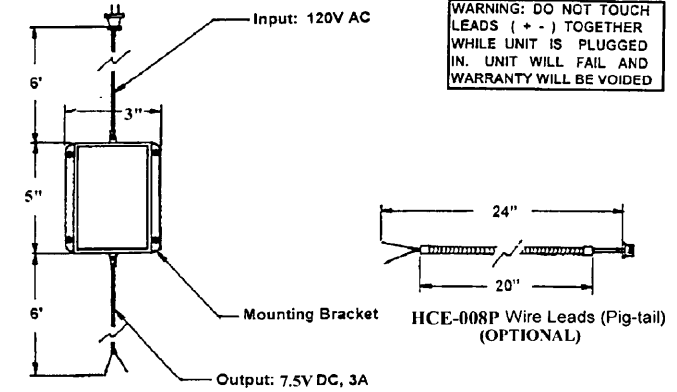
HC-010 MULTI-UNIT POWER ADAPTER

TOP VIEW



HC-010E MULTI-UNIT POWER ADAPTER (OPTIONAL ACCESSORY)

TOP VIEW



HC-010E Multi-Unit Power Adapter

HC-029 WRIST BLADE HANDLE

